

TOS-1106BMG-N

Single Digit Display LED

Part Number	Chip		Face Color	Segment Color
	Material	Source Color		
TOS-1106BMG-N	AlGaInP	Ultra-green	Gray	White

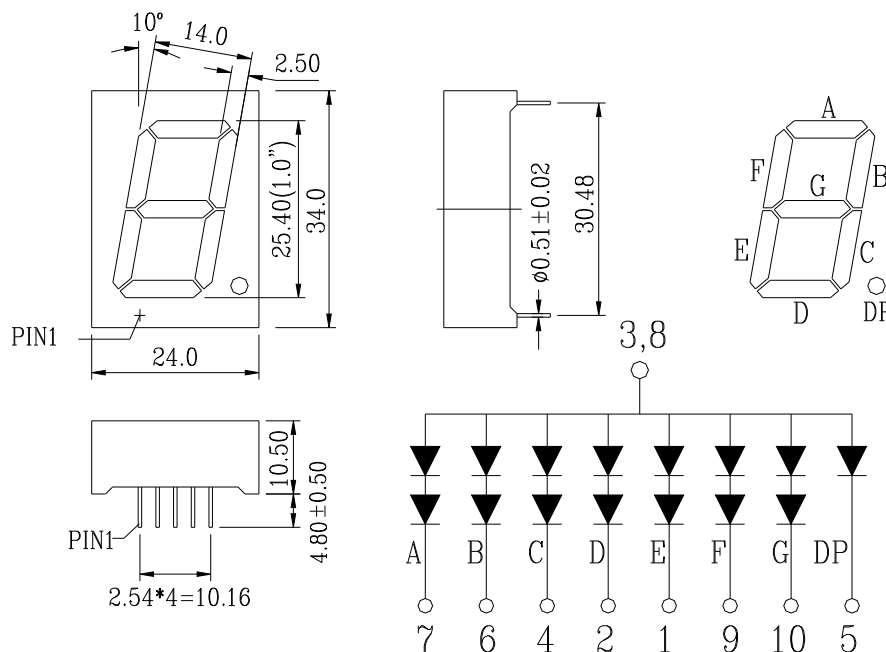
Features

- Common anode
- I.C. compatible
- Low power requirement
- RoHS compliant

Applications

- Audio equipment
- Instrument panels
- Digital read out display

Package Dimensions & Internal Circuit Diagram



Notes:

1. All dimensions are in millimeters, tolerance: ± 0.25 ; Angle: $\pm 1^\circ$ unless otherwise noted.
2. Specifications are subject to change without notice.

Absolute Maximum Rating @ Ta=25°C

Parameter	Maximum Rating	Unit
Peak Forward Current (1/10 Duty Cycle, 0.1ms Pulse Width)	80	mA
Power Dissipation(Except DP)	150	mW
Continuous Forward Current	20	mA
Recommend Operating Current	12	mA
Reverse Voltage(Except DP)	10	V
Operating Temperature Range	-40°C to +85°C	
Storage Temperature Range	-40°C to +85°C	
Lead-Free Solder Temperature(1/16 Inch Below Seating Plane)	260°C for 3 Sec	

Electrical / Optical Characteristic @ Ta=25°C

Parameter	Symbol	Min.	Typ.	Max.	Unit	Test Condition	Grade
Luminous Intensity	I _v	--	21937	--	ucd	I _F =10mA	
Dominant Wavelength	λ _d		572		nm	I _F =20mA	
Spectral Line Half-Width	Δλ		15		nm	I _F =20mA	
Forward Voltage(Except DP)	V _F	3.6	4.0	4.6	V	I _F =20mA	
Reverse Current	I _R			100	μA	V _R =10V	
Luminous Intensity Matching Rate	I _v -m			2.0:1		I _F =20mA	

The DISPLAYS should be kept at 30°C or less and 60%RH or less. The DISPLAYS should be used within one year.