

TOL-50CUAED

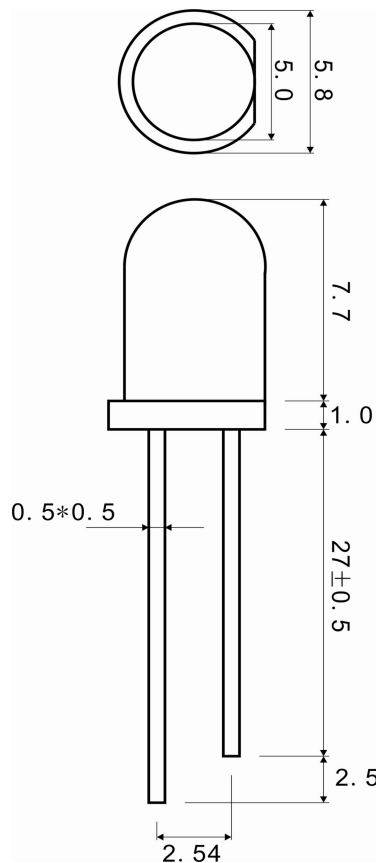
Lamp LED

Part Number	Chip		Lens Color
	Material	Source Color	
TOL-50CUAED	AlGaInP	Ultra Amber	Amber Diffused

Features

- I.C. compatible, RoHS compliant.
- Low power consumption.
- Compatible with wave soldering process.
- Long life, stable and reliable.

Dimensions



Notes:

1. All dimensions are in millimeter.
2. Tolerance is ±0.25mm unless otherwise noted.

Absolute Maximum Rating @ Ta=25°C

Parameter	Maximum Rating	Unit
Peak Forward Current (1/10 Duty Cycle, 0.1ms Pulse Width)	100	mA
Power Dissipation (Tamb≤60°C)	100	mW
Continuous Forward Current	30	mA
Reverse Voltage	5	V
Operating Temperature Range	-40°C to +85°C	
Storage Temperature Range	-40°C to +100°C	
Wave Soldering Profile For Lead-free Soldering	260°C, 5 Seconds	

Electrical / Optical Characteristic @ Ta=25°C

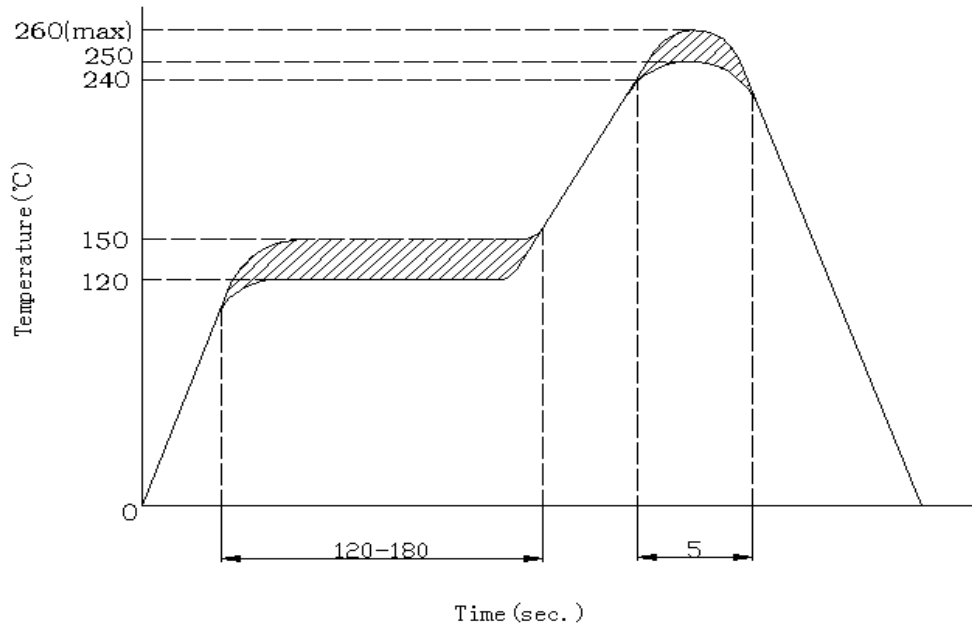
Parameter	Symbol	Min.	Typ.	Max.	Unit	Test Condition
Luminous Intensity	I _v	350	-	700	mcd	I _F =20mA
Viewing Angle	2θ _{1/2}	-	115	-	deg	I _F =20mA
Dominant Wavelength	λ _d	600	-	605	nm	I _F =20mA
Forward Voltage	V _F	1.9	-	2.4	V	I _F =20mA
Reverse Current	I _R	-	-	10	μA	V _R =5V

Remark :

1. The tolerance of intensity : ±15%.
 2. The tolerance of wave length : ±1nm.
 3. The tolerance of forwards voltage : ±0.05V.
- Only reference for above data when testing.

Soldering temperature curve chart

Wave Soldering Profile :



Reflow Soldering Profile :

