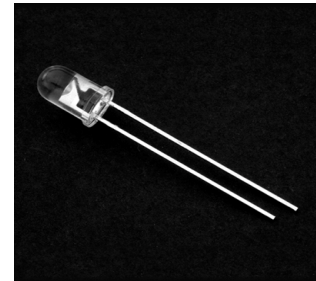


TOL-503UYOC

Lamp LED

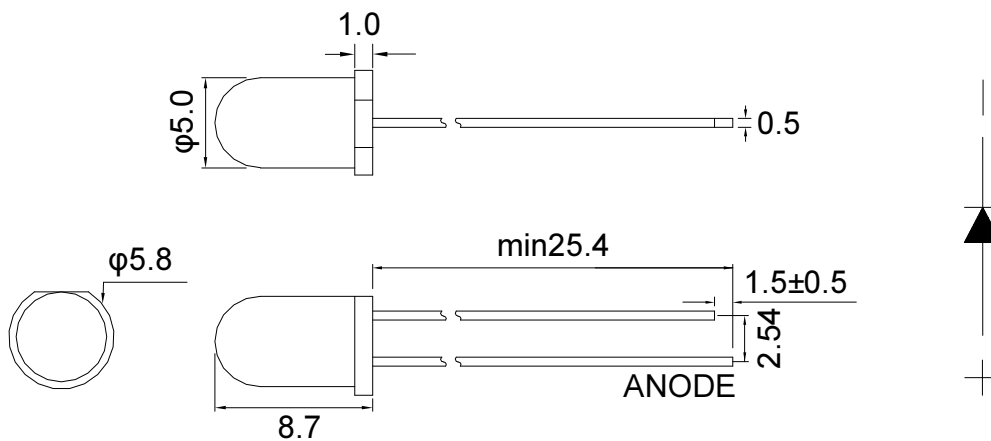


Part Number	Chip		Lens Color
	Material	Source Color	
TOL-503UYOC	InGaAIP	Yellow	Water Clear

Features

- I.C. compatible.
- Low power consumption.
- Compatible with wave soldering process.
- 5mm diameter package.
- Long life, stable and reliable.
- RoHS compliant.

Dimensions



Notes:

1. All dimensions are in millimeter.
2. Tolerance is ± 0.25 mm unless otherwise notes.

Absolute Maximum Rating @ Ta=25°C

Parameter	Maximum Rating	Unit
Peak Forward Current (1/10 Duty Cycle, 0.1ms Pulse Width)	100	mA
Power Dissipation	105	mW
Continuous Forward Current	20	mA
Reverse Voltage	5	V
Operating Temperature Range	-40°C to +85°C	
Storage Temperature Range	-40°C to +105°C	
Wave Soldering Profile For Lead-free Soldering	260°C, 5 Seconds	

Electrical / Optical Characteristic @ Ta=25°C

Parameter	Symbol	Min.	Typ.	Max.	Unit	Test Condition
Luminous Intensity	I _v	4650		6050	mcd	I _F =20mA
Viewing Angle	2θ _{1/2}		30		deg	I _F =20mA
Dominant Wavelength	λ _d		588		nm	I _F =20mA
Spectral Line Half-Width	Δλ		15		nm	I _F =20mA
Forward Voltage	V _F	1.6	2.1	2.4	V	I _F =20mA
Reverse Current	I _R			10	μA	V _R =5V