

# TOL-502UROC-ST11

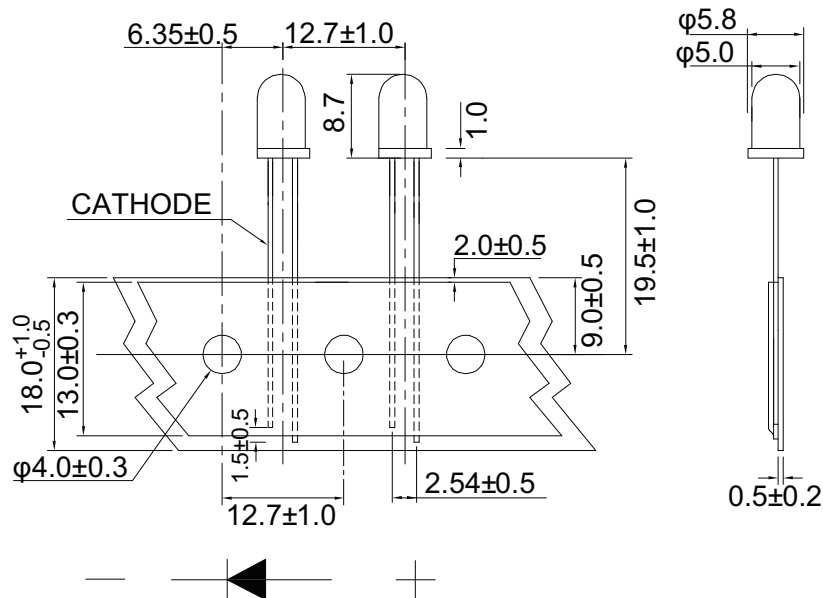
## Lamp LED

Part Number	Chip		Lens Color
	Material	Source Color	
TOL-502UROC-ST11	AlGaInP	Red	Water Clear

### Features

- I.C. compatible.
- Low power consumption.
- Compatible with wave soldering process.
- 5mm diameter package.
- Long life, stable and reliable.
- RoHS compliant.

### Dimensions



#### Notes:

1. All dimensions are in millimeter.
2. Tolerance is  $\pm 0.25$ mm unless otherwise noted.

## Absolute Maximum Rating @ Ta=25°C

Parameter	Maximum Rating	Unit
Peak Forward Current (1/10 Duty Cycle, 0.1ms Pulse Width)	100	mA
Power Dissipation (Tamb≤60°C)	75	mW
Continuous Forward Current	20	mA
Reverse Voltage	5	V
Operating Temperature Range	-40°C to +80°C	
Storage Temperature Range	-40°C to +100°C	
Wave Soldering Profile For Lead-free Soldering	260°C for 5 Sec	

## Electrical / Optical Characteristic @ Ta=25°C

Parameter	Symbol	Min.	Typ.	Max.	Unit	Test Condition
Luminous Intensity	I <sub>v</sub>		7500		mcd	I <sub>F</sub> =20mA
Viewing Angle	2θ <sub>1/2</sub>		20		deg	I <sub>F</sub> =20mA
Dominant Wavelength	λ <sub>d</sub>		625		nm	I <sub>F</sub> =20mA
Spectral Line Half-Width	Δλ		22		nm	I <sub>F</sub> =20mA
Forward Voltage	V <sub>F</sub>		2.0		V	I <sub>F</sub> =20mA
Reverse Current	I <sub>R</sub>			10	μA	V <sub>R</sub> =5V

\* Please refer to CIE 1931 chromaticity diagram.