

TOS-2181BG-N

Single Digit Display LED

| Part Number | Chip | | Face Color | Segment Color |
|--------------|----------|--------------|------------|---------------|
| | Material | Source Color | | |
| TOS-2181BG-N | GaP | Green | Gray | White |

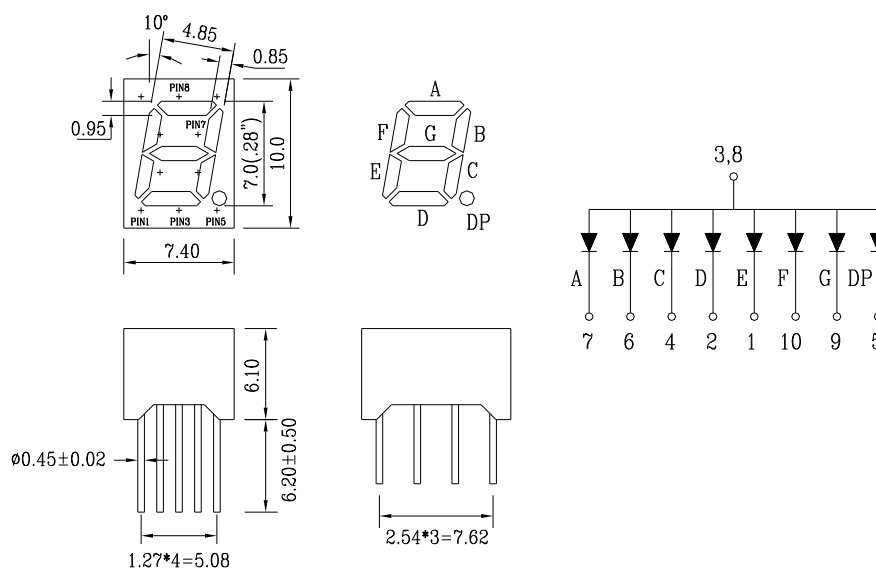
Features

- (0.28")7.00mm digit height
- Common anode
- I.C. compatible
- Low power requirement
- RoHS compliant

Applications

- Audio equipment
- Instrument panels
- Digital read out display

Package Dimensions & Internal Circuit Diagram



Notes:

1. All dimensions are in millimeters, tolerance: ± 0.25 ; Angle: $\pm 0.1^\circ$ unless otherwise noted.
2. Specifications are subject to change without notice.

Absolute Maximum Rating @ Ta=25°C

| Parameter | Maximum Rating | Unit |
|---|-----------------|------|
| Peak Forward Current (1/10 Duty Cycle, 0.1ms Pulse Width) | 80 | mA |
| Power Dissipation | 75 | mW |
| Continuous Forward Current | 20 | mA |
| Recommend Operating Current | 12 | mA |
| Reverse Voltage | 5 | V |
| Operating Temperature Range | -25°C to +85°C | |
| Storage Temperature Range | -30°C to +85°C | |
| Lead-Free Solder Temperature(1/16 Inch Below Seating Plane) | 260°C for 3 Sec | |

Electrical / Optical Characteristic @ Ta=25°C

| Parameter | Symbol | Min. | Typ. | Max. | Unit | Test Condition | Grade |
|----------------------------------|-------------------|------|------|-------|------|----------------------|-------|
| Luminous Intensity | I _v | | 4113 | | ucd | I _F =10mA | |
| Dominant Wavelength | λ _d | | 570 | | nm | I _F =20mA | |
| Spectral Line Half-Width | Δλ | | 30 | | nm | I _F =20mA | |
| Forward Voltage | V _F | 1.9 | 2.2 | 2.5 | V | I _F =20mA | |
| Reverse Current | I _R | | | 20 | μA | V _R =5V | |
| Luminous Intensity Matching Rate | I _v -m | | | 1.5:1 | | I _F =20mA | |