

# TOL-36TUEHK-AC

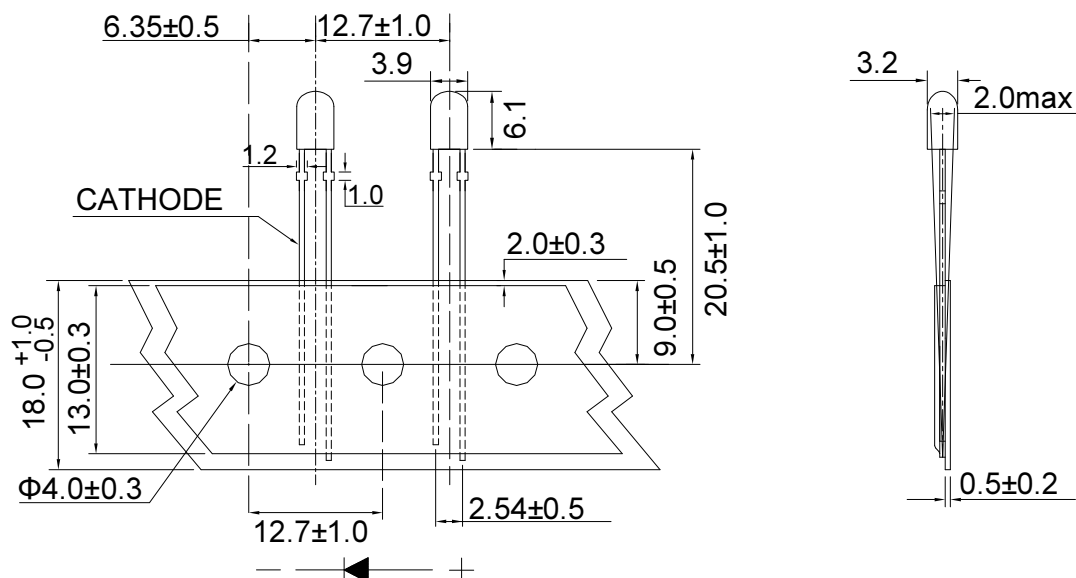
## Lamp LED

Part Number	Chip		Lens Color
	Material	Source Color	
TOL-36TUEHK-AC	AlGaInP	Ultra Orange	Red Diffused

### Features

- I.C. compatible.
- Low power consumption.
- Compatible with wave soldering process.
- (3.2mm\*3.9mm\*6.1mm) oval package.
- Long life, stable and reliable.
- RoHS compliant.

### Dimensions



#### Notes:

1. All dimensions are in millimeter.
2. Tolerance is ±0.25mm unless otherwise noted.

### Absolute Maximum Rating @ Ta=25°C

Parameter	Maximum Rating	Unit
Peak Forward Current (1/10 Duty Cycle, 0.1ms Pulse Width)	100	mA
Power Dissipation	105	mW
Continuous Forward Current	20	mA
Reverse Voltage	5	V
Operating Temperature Range	-40°C to +85°C	
Storage Temperature Range	-40°C to +105°C	
Wave Soldering Profile For Lead-free Soldering	260°C, 5 Seconds	

### Electrical / Optical Characteristic @ Ta=25°C

Parameter	Symbol	Min.	Typ.	Max.	Unit	Test Condition
Luminous Intensity	I <sub>v</sub>	950	1200	1250	mcd	I <sub>F</sub> =20mA
Viewing Angle	2θ <sub>1/2H-H</sub>		110		deg	I <sub>F</sub> =20mA
	2θ <sub>1/2V-V</sub>		45			
Dominant Wavelength	λ <sub>d</sub>	620	625	630	nm	I <sub>F</sub> =20mA
Spectral Line Half-Width	Δλ		20		nm	I <sub>F</sub> =20mA
Forward Voltage	V <sub>F</sub>	1.6	2.2	2.8	V	I <sub>F</sub> =20mA
Reverse Current	I <sub>R</sub>			10	μA	V <sub>R</sub> =5V