

TO-B0603BC-MAE-5-001

Surface Mount Device LED

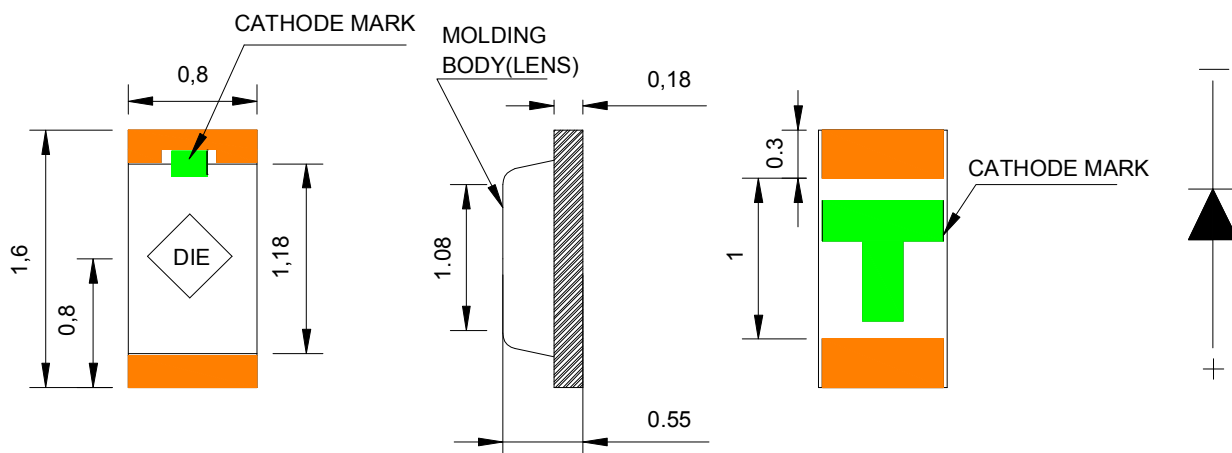


Part Number	Chip		Lens Color
	Material	Source Color	
TO-B0603BC-MAE-5-001	AlGaInP	Amber	Water Clear

Features

- IC compatible
- Compatible with automatic placement equipment
- Compatible with infrared and vapor phase reflow soldering process
- Top view type
- Pack in 8 mm tape on 7" diameter reel
- RoHS compliant
- Moisture sensitivity Level: level 3

Dimensions



Notes:

1. All dimensions are in millimeter.
2. Tolerance is ± 0.1 mm unless individual mark noted.

Absolute Maximum Rating @ Ta=25°C

Parameter	Maximum Rating	Unit
Peak Forward Current (1/10 Duty Cycle, 0.1ms Pulse Width)	80	mA
Power Dissipation	75	mW
Continuous Forward Current	25	mA
Reverse Voltage	5	V
Operating Temperature Range	-55°C to +85°C	
Storage Temperature Range	-55°C to +105°C	
IR Reflow Soldering Profile For Lead Free Soldering	260°C	

Electrical / Optical Characteristic @ Ta=25°C

Parameter	Symbol	Min.	Typ.	Max.	Unit	Test Condition
Luminous Intensity	I _v	50		149	mcd	I _F =5mA
Viewing Angle	2θ _{1/2}		130		deg	I _F =5mA
Forward Voltage	V _F		2.0		V	I _F =5mA
Dominant Wavelength	λ _d		605		nm	I _F =5mA
Spectral Line Half-Width	Δλ		18		nm	I _F =5mA
Reverse Current	I _R			10	μA	V _R =5V