

# TO-5050BC-MRPBFGF

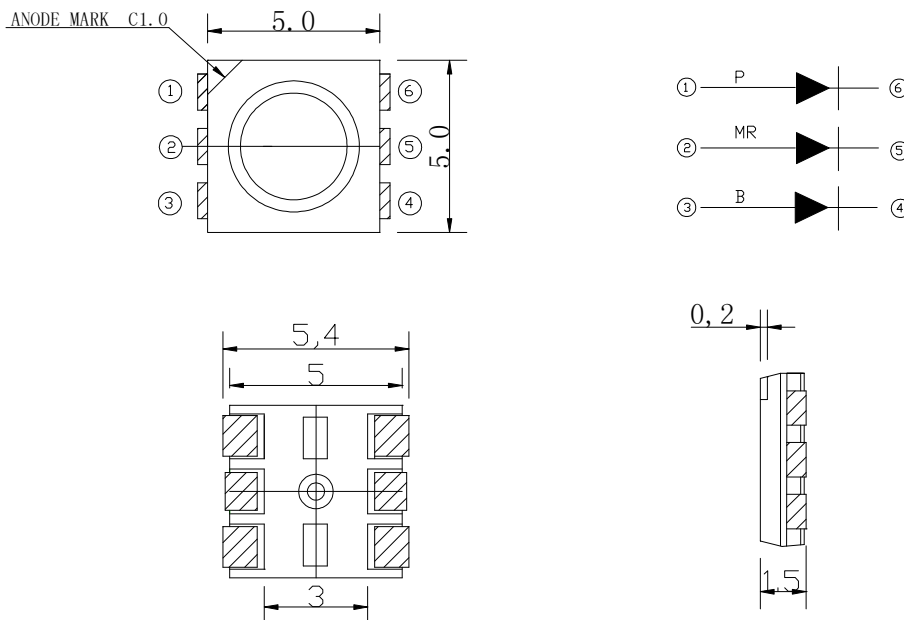
## Surface Mount Device LED

Part Number	Chip		Lens Color
	Material	Source Color	
TO-5050BC-MRPBFGF	AlGaInP	Ultra Bright Red	Water Clear
	InGaN	Pure Green	
	InGaN	Blue	

### Features

- IC compatible
- Compatible with automatic placement equipment
- Compatible with infrared and vapor phase reflow soldering process
- Top view type
- Pack in 12 mm tape on 7" diameter reel
- RoHS compliant
- Moisture sensitivity Level: level 3

### Dimensions



Notes:

1. All dimensions are in millimeter.
2. Tolerance is  $\pm 0.1$ mm unless individual mark noted.

### Absolute Maximum Rating @ Ta=25°C

Parameter	Maximum Rating			Unit
	MR	P	B	
Peak Forward Current (1/10 Duty Cycle, 0.1ms Pulse Width)	80	80	80	mA
Power Dissipation	75	105	105	mW
Continuous Forward Current	25	25	25	mA
Reverse Voltage	5	5	5	V
Operating Temperature Range	-55°C to +85°C			
Storage Temperature Range	-55°C to +105°C			
IR Reflow Soldering Profile For Lead Free Soldering	260°C			

### Electrical / Optical Characteristic @ Ta=25°C

Parameter	Symbol	MR			P			B			Unit	Test Condition
		Min.	Typ.	Max.	Min.	Typ.	Max.	Min.	Typ.	Max.		
Luminous Intensity	I <sub>v</sub>	146		417	705		1550	190		542	mcd	I <sub>F</sub> =20mA
Viewing Angle	2θ <sub>1/2</sub>		120			120			120		deg	I <sub>F</sub> =20mA
Forward Voltage	V <sub>F</sub>		1.9			3.2			3.2		V	I <sub>F</sub> =20mA
Dominant Wavelength	λ <sub>d</sub>		630			525			468		nm	I <sub>F</sub> =20mA
Spectral Line Half-Width	Δλ		17			36			26		nm	I <sub>F</sub> =20mA
Reverse Current	I <sub>R</sub>			10			10			10	μA	V <sub>R</sub> =5V