

# TO-3806SWLQ-E2

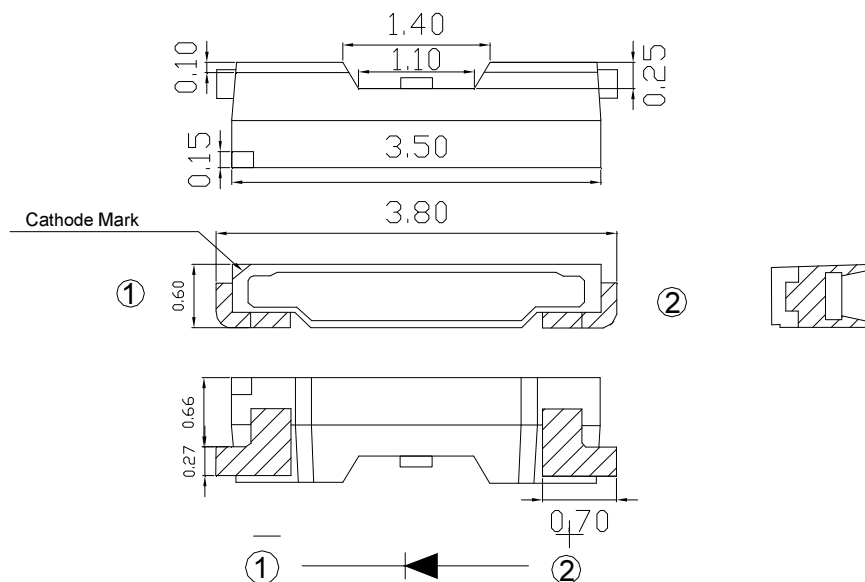
## Surface Mount Device LED

Part Number	Chip		Lens Color
	Material	Source Color	
TO-3806SWLQ-E2	InGaN	Ultra White	Yellow Diffused

### Features

- IC compatible
- Compatible with automatic placement equipment
- Compatible with infrared and vapor phase reflow solder process
- Side view type
- Package in 12 mm tape on 7" diameter reel
- RoHS compliant
- Moisture sensitivity level: level 3

### Dimensions



**Notes:**

1. All dimensions are in millimeters.
2. Tolerance is  $\pm 0.1$ mm unless otherwise noted.

### Absolute Maximum Rating @ Ta=25°C

Parameter	Maximum Rating	Unit
Peak Forward Current (1/10 Duty Cycle, 0.1ms Pulse Width)	80	mA
Power Dissipation	105	mW
Continuous Forward Current	25	mA
Reverse Voltage	5	V
Operating Temperature Range	-55°C to +85°C	
Storage Temperature Range	-55°C to +105°C	
IR Reflow Soldering Profile For Lead Free Soldering	260°C	

### Electrical / Optical Characteristic @ Ta=25°C

Parameter	Symbol	Min.	Typ.	Max.	Unit	Test Condition
Total Flux	$\Phi_V$	2200		2800	mcd	$I_F=20\text{mA}$
Viewing Angle	$2\theta_{1/2}$		120		deg	$I_F=20\text{mA}$
Forward Voltage	$V_F$			3.1	V	$I_F=20\text{mA}$
Reverse Current	$I_R$			10	$\mu\text{A}$	$V_R=5\text{V}$
Color Temperature	$T_c$		6000		K	$I_F=20\text{mA}$