

TO-3806SC-2MRH

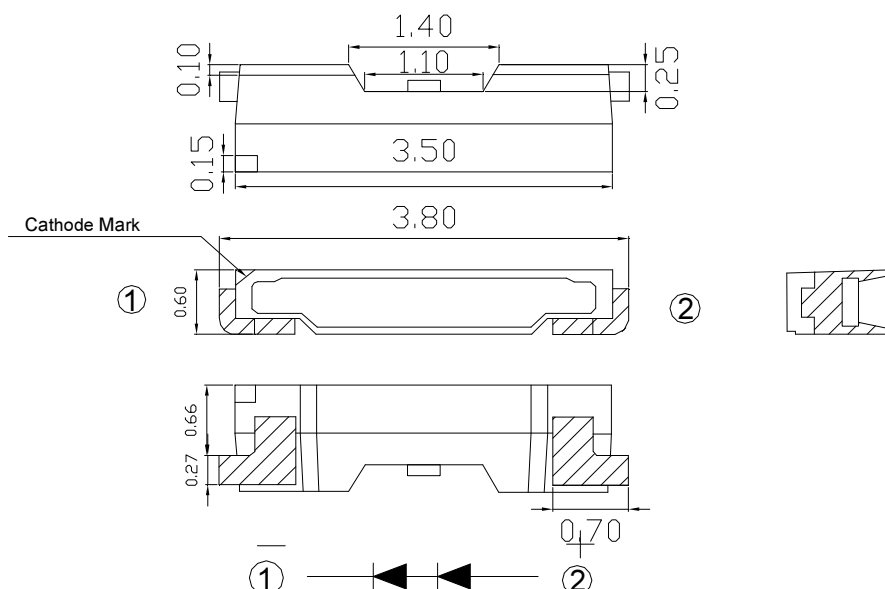
Surface Mount Device LED

Part Number	Chip		Lens Color
	Material	Source Color	
TO-3806SC-2MRH	InGaN	Red	Water clear

Features

- IC compatible
- Compatible with automatic placement equipment
- Compatible with infrared and vapor phase reflow solder process
- Side view type
- Package in 12 mm tape on 7" diameter reel
- RoHS compliant
- Moisture sensitivity level: level 3

Dimensions



Notes:

1. All dimensions are in millimeters.
2. Tolerance is ± 0.1 mm unless otherwise noted.

Absolute Maximum Rating @ Ta=25°C

Parameter	Maximum Rating	Unit
Peak Forward Current (1/10 Duty Cycle, 0.1ms Pulse Width)	80	mA
Power Dissipation	150	mW
Continuous Forward Current	30	mA
Reverse Voltage	5	V
Operating Temperature Range	-40°C to +80°C	
Storage Temperature Range	-40°C to +100°C	
IR Reflow Soldering Profile For Lead Free Soldering	260°C for 10 sec	

Electrical / Optical Characteristic @ Ta=25°C

Parameter	Symbol	Min.	Typ.	Max.	Unit	Test Condition
Luminous Intensity	I _v		2015		mcd	I _F =20mA
Viewing Angle	2θ _{1/2}		120		deg	I _F =20mA
Forward Voltage	V _F		4.0		V	I _F =20mA
Dominant Wavelength	λ _d		625		nm	I _F =20mA
Spectral Line Half-Width	Δλ		15		nm	I _F =20mA
Reverse Current	I _R			10	μA	V _R =5V

Bin Code List for Reference

Luminous Intensity		Unit : mcd@20mA
Bin Code	Min	Max
H3	1550	2015
K1	2015	2620

Tolerance of Luminous Intensity on each bin is $\pm 11\%$

Forward Voltage		Unit : V@20mA
Bin Code	Min	Max
V38	3.8	4.0
V40	4.0	4.2
V42	4.2	4.4

Tolerance for each Forward Voltage Bin is $\pm 0.1V$

Dominant Wavelength		Unit : nm@20mA
Bin Code	Min	Max
620622	620	622
622624	622	624
624626	624	626
626628	626	628
628630	628	630

Tolerance of Dominant Wavelength on each bin is $\pm 1nm$