

TO-2835SWLQ-H3

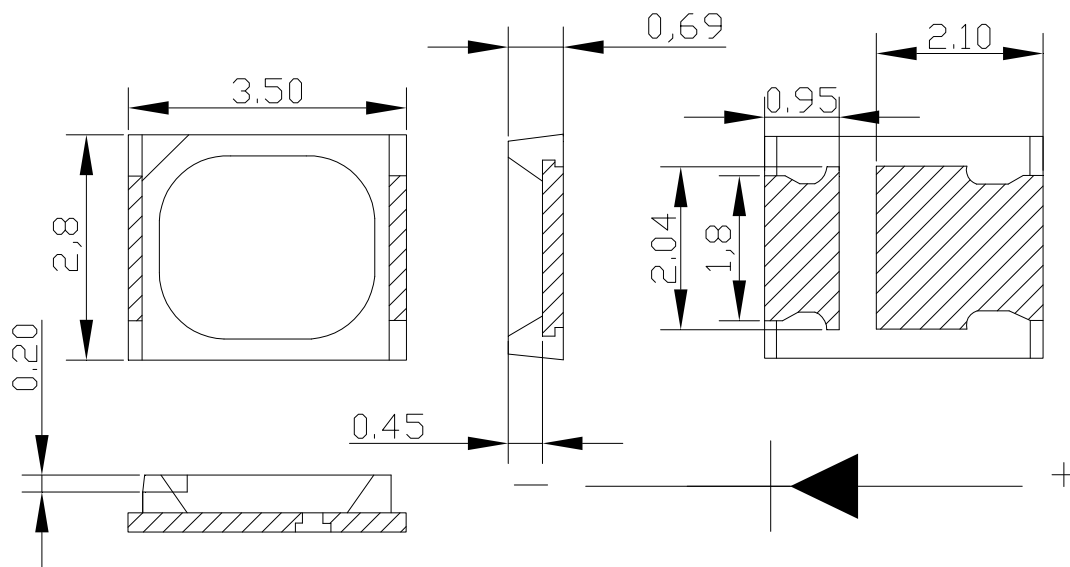
Surface Mount Device LED

Part Number	Chip		Lens Color
	Material	Source Color	
TO-2835SWLQ-H3	InGaN	Ultra White	Yellow Diffused

Features

- IC compatible
- Compatible with automatic placement equipment
- Compatible with infrared and vapor phase reflow solder process
- Top view type
- Package in 8 mm tape on 7" diameter reel
- RoHS compliant
- Moisture sensitivity level: level 3

Dimensions



Notes:

1. All dimensions are in millimeters.
2. Tolerance is ± 0.1 mm unless otherwise noted.

Absolute Maximum Rating @ Ta=25°C

Parameter	Maximum Rating	Unit
Peak Forward Current (1/10 Duty Cycle, 0.1ms Pulse Width)	700	mA
Power Dissipation	500	mW
Continuous Forward Current	150	mA
Reverse Voltage	5	V
Operating Temperature Range	-55°C to +85°C	
Storage Temperature Range	-55°C to +105°C	
IR Reflow Soldering Profile For Lead Free Soldering	260°C	

Electrical / Optical Characteristic @ Ta=25°C

Parameter	Symbol	Min.	Typ.	Max.	Unit	Test Condition
Total Flux	Φ_V	60		66	lm	$I_F=150\text{mA}$
Viewing Angle	$2\theta_{1/2}$		120		deg	$I_F=150\text{mA}$
Forward Voltage	V_F		3.2		V	$I_F=150\text{mA}$
Reverse Current	I_R			10	μA	$V_R=5\text{V}$
color rendering	R_a		70			$I_F=150\text{mA}$
Color Temperature	T_c		5500		K	$I_F=150\text{mA}$